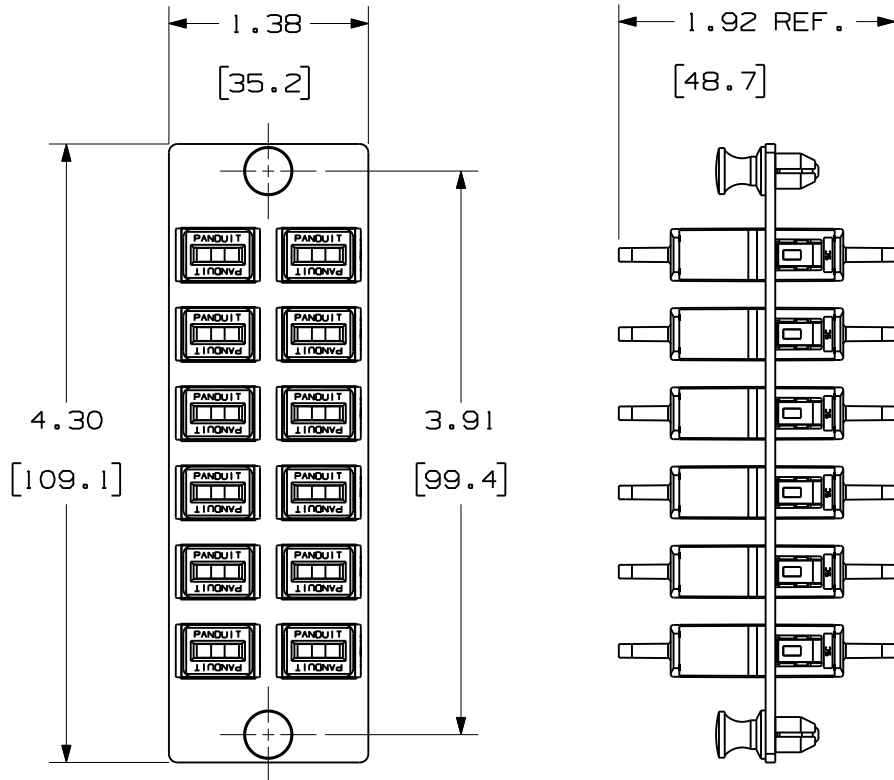


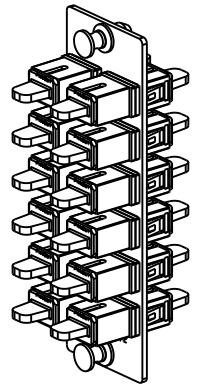
THIS COPY IS PROVIDED ON A RESTRICTED BASIS AND IS NOT TO BE USED IN ANY WAY DETRIMENTAL TO THE INTERESTS OF PANDUIT CORP.



PANDUIT P/N	ADAPTER COLOR	SPLIT SLEEVE TYPE
FAP12WE1SC	ELECTRIC IVORY	PHOS BRONZE
FAP12WBLSC	BLACK	PHOS BRONZE
FAP12WBUSCZ	BLUE	ZIRCONIA
FAP12WAGSCZ	APC GREEN	ZIRCONIA

NOTES:

1. SEE CURRENT CATALOG FOR PART NUMBER SUFFIXES TO INDICATE COLOR AND/OR PACKAGE QUANTITIES.
2. SEE CATALOG FOR COMPLETE LIST OF PARTS APPLICABLE FOR USE WITH THIS PRODUCT.
3. MATERIALS:
 - a. PLATE: C.R.S. POWDER COATED
 - b. ADAPTER: COMPOSITE
 - c. SPLIT SLEEVE: SEE TABLE
4. DIMENSIONS IN BRACKETS ARE METRIC.

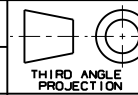


REV	DATE	BY	CHK	DESCRIPTION	ECN	R	CUST	SUP	OTH
01	01-29-09	EFK		RELEASED TO PRODUCTION	01945-17				

12 POSITION
SIMPLEX SC FIBER ADAPTER PANEL
CUSTOMER DRAWING



PANDUIT™
CORP.
TINLEY PARK, ILL 60477



ALL DIMENSIONS ARE GIVEN IN INCHES,
UNLESS OTHERWISE SPECIFIED,
DIMENSIONAL TOLERANCES ARE:
(.X) ±.03 (0.8) ANGLES
(.XXX) ±.010 (0.3)

DRAWING FILENAME
M01945AG_DC_00B.prt
SCALE
NONE

DRAWN BY
MC
DATE
09-02-04
CHK'D
TMS

REVIEW DRAWING NUMBERS

SEE NOTES

PART NO.
FAP12W**SC
FAP12W**SCZ
DRAWING NO.
01945-17
SIZE
A